

## Hambleside Danelaw Ltd

Long March  
Daventry  
Northamptonshire NN11 4NR  
Tel: 01327 701900 Fax: 01327 701909  
e-mail: sales@hambleside-danelaw.co.uk  
website: www.hambleside-danelaw.co.uk

Agrément Certificate  
**87/1915**  
Product Sheet 4

### HAMBLESIDE DANELAW GRP FLASHINGS

### HAMBLESIDE DANELAW GRP CONTI-SOAKERS

This Agrément Certificate Product Sheet<sup>(1)</sup> relates to Hambleside Danelaw GRP Conti-soakers, for use in slated or tiled roofs constructed in accordance with the relevant requirements of BS 5534 : 2003 + A1 : 2010. The conti-soakers provide a weatherproof jointing method at the junction of different slate and/or tiled roof coverings in the same plane.

(1) Hereinafter referred to as 'Certificate'.

#### CERTIFICATION INCLUDES:

- factors relating to compliance with Building Regulations where applicable
- factors relating to additional non-regulatory information where applicable
- independently verified technical specification
- assessment criteria and technical investigations
- design considerations
- installation guidance
- regular surveillance of production
- formal three-yearly review.

#### KEY FACTORS ASSESSED

**Weatherightness** — as part of a complete roof, the conti-soakers will resist the passage of moisture into the interior of the building (see section 6).

**Properties in relation to fire** — tests indicate that the conti-soakers, when used as part of a complete roof, will be unrestricted under the Building Regulations (see section 7).

**Strength** — the conti-soakers have adequate strength to resist the normal loads and impacts associated with the installation of the roof (see section 8).

**Durability** — under normal service conditions, the conti-soakers will have a service life of at least 20 years (see section 10).



The BBA has awarded this Certificate to the company named above for the products described herein. These products have been assessed by the BBA as being fit for their intended use provided they are installed, used and maintained as set out in this Certificate.

On behalf of the British Board of Agrément

Date of First issue.

Originally certified on 20 September 1987

Simon Wroe

Head of Approvals — Materials

Greg Cooper

Chief Executive

*The BBA is a UKAS accredited certification body — Number 113. The schedule of the current scope of accreditation for product certification is available in pdf format via the UKAS link on the BBA website at [www.bbacerts.co.uk](http://www.bbacerts.co.uk)*

**THIS IS NOT A VALID AGRÉMENT CERTIFICATE. THE BBA ACCEPTS NO RESPONSIBILITY NOR LIABILITY FOR ANY CONCLUSIONS DRAWN FROM, NOR ANY DECISIONS BASED ON, THIS DOCUMENT.**

# Regulations

In the opinion of the BBA, Hambleside Danelaw GRP Conti-soakers, if used in accordance with the provisions of this Certificate, will meet or contribute to meeting the relevant requirements of the following Building Regulations (the presence of a UK map indicates that the subject is related to the Building Regulations in the region or regions of the UK depicted):



## The Building Regulations 2010 (England and Wales) (as amended)

Requirement:	B4(2)	External fire spread
Comment:		Data to BS 476-3 : 1958 indicate that the products, when used as part of a complete roof, will not affect the fire rating of the roof construction. See section 7 of this Certificate.
Requirement:	C2(b)	Resistance to moisture
Comment:		The products will contribute to a roof meeting this Requirement. See section 6 of this Certificate.
Requirement:	Regulation 7	Materials and workmanship
Comment:		The products are acceptable. See section 10 and the <i>Installation</i> part of this Certificate.



## The Building (Scotland) Regulations 2004 (as amended)

Regulation:	8(1)(2)	Fitness and durability of materials and workmanship
Comment:		The use of the products satisfies the requirements of this Regulation. See sections 9 and 10 and the <i>Installation</i> part of this Certificate.
Regulation:	9	Building standards applicable to construction
Standard:	2.8	Spread from neighbouring buildings
Comment:		Data to BS 476-3 : 1958 indicate that the products can be regarded as having a low vulnerability with reference to clause 2.8.1 <sup>(1)(2)</sup> , and will not affect the fire rating of the roof construction. See section 7 of this Certificate.
Standard:	3.10	Precipitation
Comment:		The products will contribute to a roof satisfying clauses 3.10.1 <sup>(1)(2)</sup> and 3.10.8 <sup>(1)(2)</sup> of this Standard. See section 6 of this Certificate.
Standard:	7.1(a)	Statement of sustainability
Comment:		The products can contribute to meeting the relevant requirements of Regulation 9, Standards 1 to 6 and therefore will contribute to a construction meeting a bronze level of sustainability as defined in this Standard.
Regulation:	12	Building standards applicable to conversions
Comment:		Comments made in relation to the products under Regulation 9, Standards 1 to 6, also apply to this Regulation, with reference to clause 0.12.1 <sup>(1)(2)</sup> and Schedule 6 <sup>(1)(2)</sup> . (1) Technical Handbook (Domestic). (2) Technical Handbook (Non-Domestic).



## The Building Regulations (Northern Ireland) 2012

Regulation:	23(a)(i)(iii)(b)(i)	Fitness of materials and workmanship
Comment:		The products are acceptable. See section 10 and the <i>Installation</i> part of this Certificate.
Regulation:	28(b)	Resistance to ground moisture and weather
Comment:		The products will contribute to a roof satisfying this Regulation. See section 6 of this Certificate.
Regulation:	36(b)	External fire spread
Comment:		Data to BS 476-3 : 1958 indicate that the products, when used as part of a complete roof construction, will not affect the fire rating of the roof construction. See section 7 of this Certificate.

## Construction (Design and Management) Regulations 2007

## Construction (Design and Management) Regulations (Northern Ireland) 2007

Information in this Certificate may assist the client, CDM co-ordinator, designer and contractors to address their obligations under these Regulations.

See sections: 1 *Description* (1.3) and 3 *Delivery and site handling* (3.1) of this Certificate.

# Additional Information

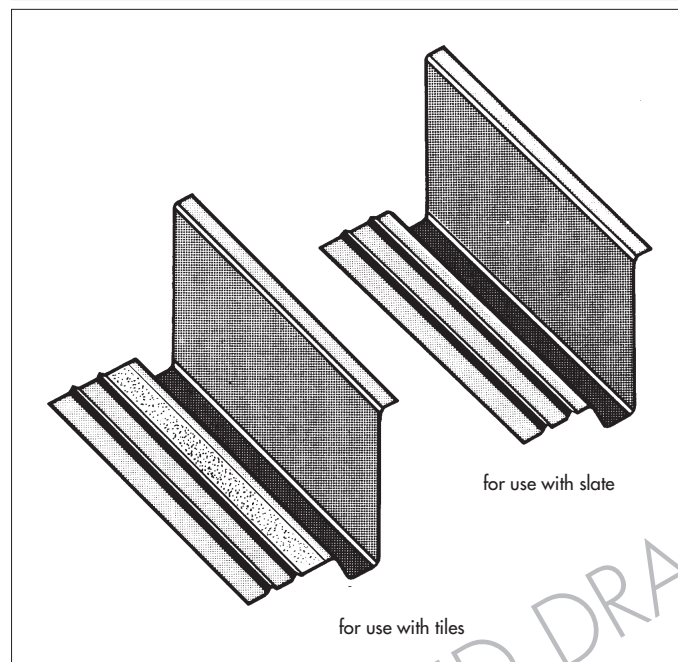
## NHBC Standards 2013

NHBC accepts the use of Hambleside Danelaw GRP Conti-soakers when installed and used in accordance with this Certificate, in relation to *NHBC Standards, Part 7 Roofs, Chapter 7.2 Pitched roofs*.

## 1 Description

1.1 The Hambleside Danelaw GRP Conti-soakers are continuous abutment soakers designed to provide a waterproof junction detail between a slate or tile roof covering and an abutment wall. They are manufactured from glassfibre/polyester laminates in a continuous process to the profiles illustrated, one for use with tiles and another for slates.

Figure 1 GRP Conti-soakers



1.2 A mortar bonding strip is integrated onto the upper surface to provide a key for bedding the roof tiles in mortar and also slates if required.

1.3 The products are supplied in 3 m lengths.

1.4 Normally, a lip along the upper edge is included to provide fitment into a groove cut in the abutment. However, soakers without this lip may be supplied for use with GRP or stepped lead cover flashings.

1.5 The conti-soakers are finished in Standard Grey and normally have a matt finish. However, they are also available with a laminated film on the upper surface, giving a gloss finish which improves the weather resistance of the GRP (glassfibre-reinforced polyester).

## 2 Manufacture

2.1 Glassfibre mats are impregnated with resin and are formed into a laminate with a polyester carrier film and a weather protection film to the required profile.

2.2 As part of the assessment and ongoing surveillance of product quality, the BBA has:

- agreed with the manufacturer the quality control procedures and product testing to be undertaken
- assessed and agreed the quality control operated over batches of incoming materials
- monitored the production process and verified that it is in accordance with the documented process
- evaluated the process for management of nonconformities
- checked that equipment has been properly tested and calibrated
- undertaken to carry out the above measures on a regular basis through a surveillance process, to verify that the specifications and quality control operated by the manufacturer are being maintained.

2.3 The management system of Hambleside Danelaw Ltd has been assessed and registered as meeting the requirements of BS EN ISO 9001 : 2008 by BSI (Certificate FM 23063).

## 3 Delivery and site handling

3.1 The products are delivered to site in packs of 10 units, each unit marked with size, the application and the BBA identification mark including the number of this Certificate.

3.2 The packs must be stored flat or on end, on a smooth, clean, dry surface, under cover and protected from sunlight.

# Assessment and Technical Investigations

The following is a summary of the assessment and technical investigations carried out on Hambleside Danelaw GRP Conti-soakers.

## Design Considerations

### 4 Use

Hambleside Danelaw GRP Conti-soakers are satisfactory for use in tiled or slated pitched roofs constructed in accordance with the relevant clauses of BS 5534 : 2003 + A1 : 2010, to provide a weatherproof junction where there are changes in direction or material in a roof structure.

### 5 Practicability of installation

Installation can be carried out readily by slaters/tilers experienced with this type or product.

### 6 Weathertightness



Results of tests indicate that the products will adequately resist the passage of moisture to the interior of a building and so meet the requirements of the national Building Regulations:

**England and Wales** — Approved Document C, Requirement C2(b), Section 6

**Scotland** — Mandatory Standard 3.10, clauses 3.10.1<sup>(1)(2)</sup> and 3.10.8<sup>(1)(2)</sup>

(1) Technical Handbook (Domestic)

(2) Technical Handbook (Non-Domestic)

**Northern Ireland** — Regulation 28(b).

### 7 Properties in relation to fire



When tested in accordance with BS 467-3 : 1958, samples of GRP representative of that used in the manufacture of the products, achieved an EXT.S.AB rating.

### 8 Strength

The products will resist the normal loads and impacts associated with installation and use.

### 9 Maintenance



Minimal maintenance is necessary and the smooth finish will inhibit the build up of foreign matter.

### 10 Durability



Available test data and knowledge of the material indicate that the products will have an expected life of at least 20 years.

## Installation

### 11 General

Installation of Hambleside Danelaw GRP Conti-soakers should be in accordance with the Certificate holder's instructions, the product label and the relevant recommendations of BS 5534 : 2003 + A1 : 2010 and BS 8000-6 : 1990.

### 12 Procedure

#### Lipped Conti-soakers

12.1 The roof and abutment should be made good, and the underlay run up the abutment approximately 100 mm. Battens should be cut short to allow a 60 mm gap between the counter batten and the abutment, and be supported by noggings or bearers as necessary.

12.2 Using a Conti-soaker as a measure, the abutment should be marked and routed to a depth of 30 mm.

12.3 The Conti-soakers should be cut to length, allowing a 150 mm overlap when measured vertically at each joint. An additional overlapped joint may be necessary to accommodate the change in roof angle near the soffit.

12.4 The Conti-soaker should be laid along the abutment, and its outside edge nailed to the battens through pre-drilled holes.

12.5 The lipped edge should be wedged or fixed securely and sealed into the chase using a high quality external grade sealant or mastic.

12.6 Slates should be laid in the normal manner directly over the soaker water bars. Tiles should be bedded onto mortar laid along the mortar bonding strip. In each case, a minimum gap of 25 mm must be left over the water channel (see Figures 2 and 3).

Figure 2 Slate installation

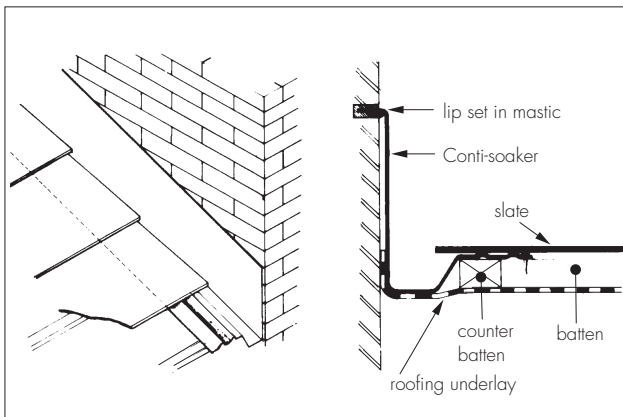
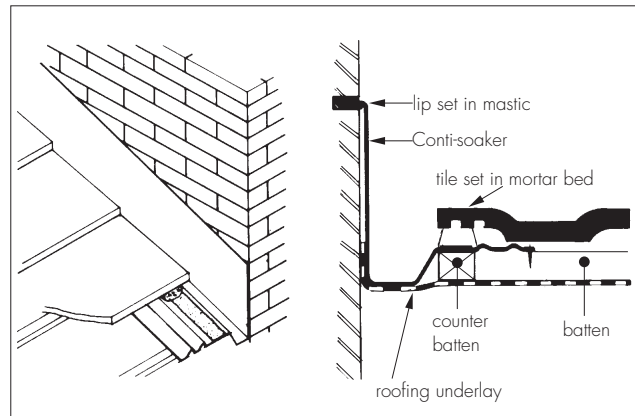


Figure 3 Tile installation



### Unlipped Conti-soakers

12.7 The roof and abutment should be made good and the underlay run up the abutment approximately 100 mm. Battens should be cut short to allow a 60 mm gap between the counter batten and the abutment, and be supported by noggings or bearers as necessary.

12.8 The Conti-soakers should be cut to length, allowing a 150 mm overlap when measured vertically at each joint. An additional overlapped joint may be necessary to accommodate the change in roof angle near the soffit.

12.9 The Conti-soaker should be laid along the abutment and its outside edge nailed to the batten through pre-drilled holes.

12.10 The upstand face to the Conti-soaker should have stepped or continuous lead or GRP cover flashing fitted into the abutment wall, and dressed over to provide adequate cover.

12.11 Slates should be laid in the normal manner directly over the water bars. Tiles should be bedded onto mortar laid along the mortar bonding strip. In each case a minimum gap of 25 mm must be left over the water channel (see Figures 2 and 3).

## Technical Investigations

### 13 Tests

Tests were conducted and the results assessed to determine:

- density
- glass/resin ratio
- hardness
- cross-breaking strength
- impact resistance
- effect of elevated temperatures
- effect of water soak.

### 14 Investigations

14.1 An assessment was made of the results of a fire test in accordance with BS 476-3 : 1958 carried out by an independent test authority.

14.2 A survey of users was carried out to assess performance in use.

## Bibliography

BS 476-3 : 1958 *Fire tests on building materials and structures — Classification and method of test for external fire exposure to roofs*

BS 5534 : 2003 + Amendment 1 : 2010 *Code of practice for slating and tiling (including shingles)*

BS 8000-6 : 1990 *Workmanship on building sites — Code of practice for slating and tiling of roofs and claddings*

BS 8747 : 2007 *Reinforced bitumen membranes (RBMs) for roofing — Guide to selection and specification*

BS EN ISO 9001 : 2008 *Quality management systems — Requirements*

## Conditions of Certification

### 15 Conditions

15.1 This Certificate:

- relates only to the product/system that is named and described on the front page
- is issued only to the company, firm, organisation or person named on the front page — no other company, firm, organisation or person may hold or claim that this Certificate has been issued to them
- is valid only within the UK
- has to be read, considered and used as a whole document — it may be misleading and will be incomplete to be selective;
- is copyright of the BBA
- is subject to English Law.

15.2 Publications, documents, specifications, legislation, regulations, standards and the like referenced in this Certificate are those that were current and/or deemed relevant by the BBA at the date of issue or reissue of this Certificate.

15.3 This Certificate will remain valid for an unlimited period provided that the product/system and its manufacture and/or fabrication, including all related and relevant parts and processes thereof:

- are maintained at or above the levels which have been assessed and found to be satisfactory by the BBA
- continue to be checked as and when deemed appropriate by the BBA under arrangements that it will determine
- are reviewed by the BBA as and when it considers appropriate.

15.4 The BBA has used due skill, care and diligence in preparing this Certificate, but no warranty is provided.

15.5 In issuing this Certificate, the BBA is not responsible and is excluded from any liability to any company, firm, organisation or person, for any matters arising directly or indirectly from:

- the presence or absence of any patent, intellectual property or similar rights subsisting in the product/system or any other product/system
- the right of the Certificate holder to manufacture, supply, install, maintain or market the product/system
- actual installations of the product/system, including their nature, design, methods, performance, workmanship and maintenance
- any works and constructions in which the product/system is installed, including their nature, design, methods, performance, workmanship and maintenance
- any loss or damage, including personal injury, howsoever caused by the product/system, including its manufacture, supply, installation, use, maintenance and removal
- any claims by the manufacturer relating to CE marking.

15.6 Any information relating to the manufacture, supply, installation, use, maintenance and removal of this product/system which is contained or referred to in this Certificate is the minimum required to be met when the product/system is manufactured, supplied, installed, used, maintained and removed. It does not purport in any way to restate the requirements of the Health and Safety at Work etc. Act 1974, or of any other statutory, common law or other duty which may exist at the date of issue or reissue of this Certificate; nor is conformity with such information to be taken as satisfying the requirements of the 1974 Act or of any statutory, common law or other duty of care.